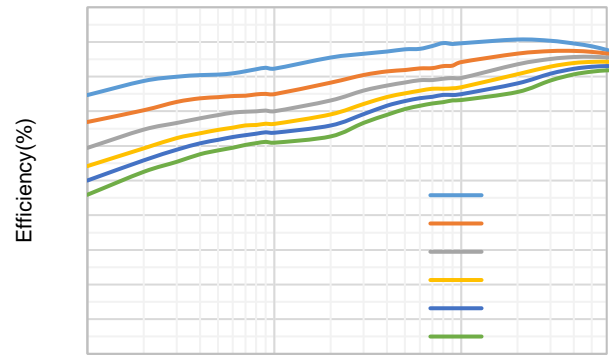
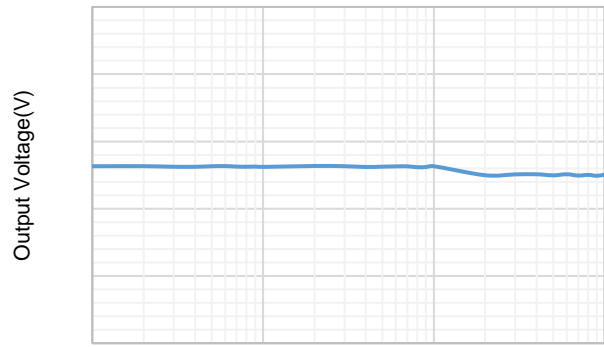


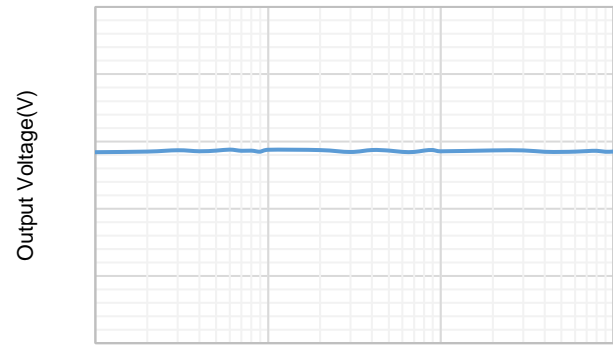
Iout(A)



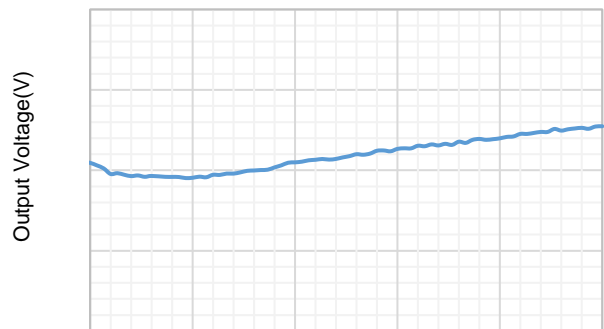
Iout(A)



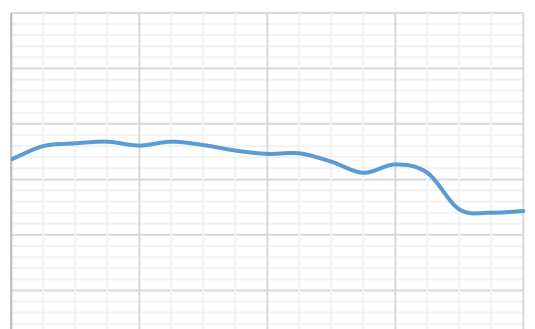
Output Current (A)

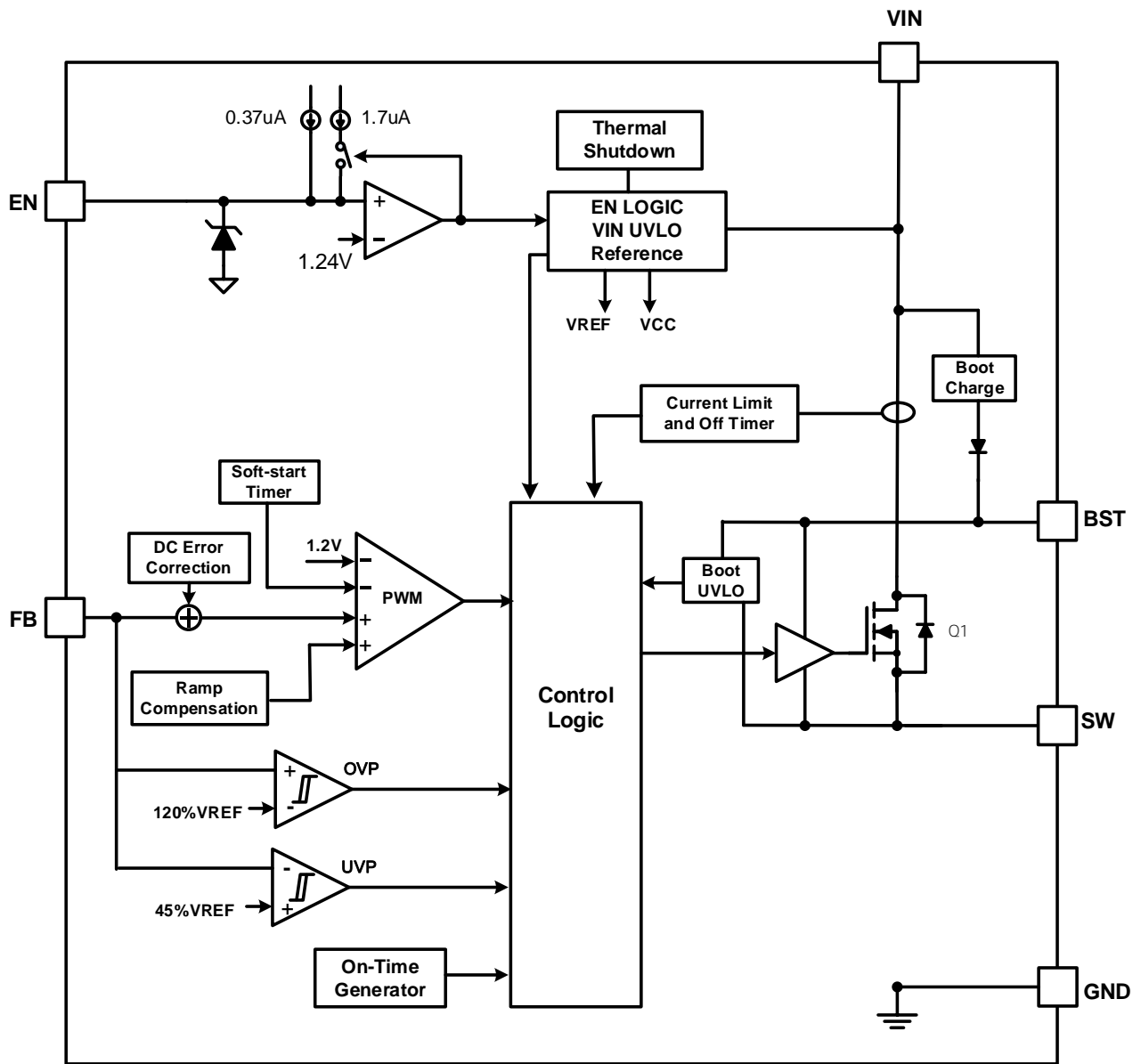


Output Current (A)



Input Voltage(V)





-
-

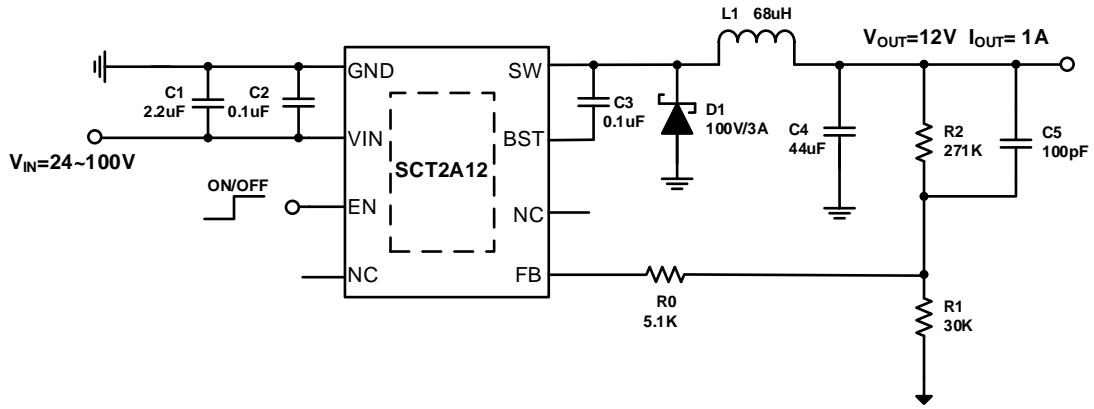
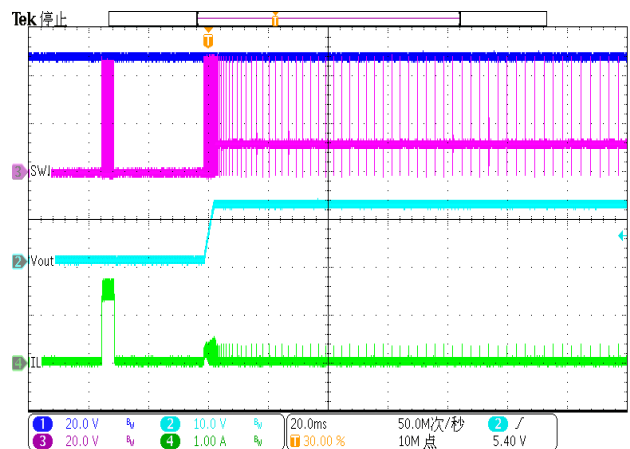
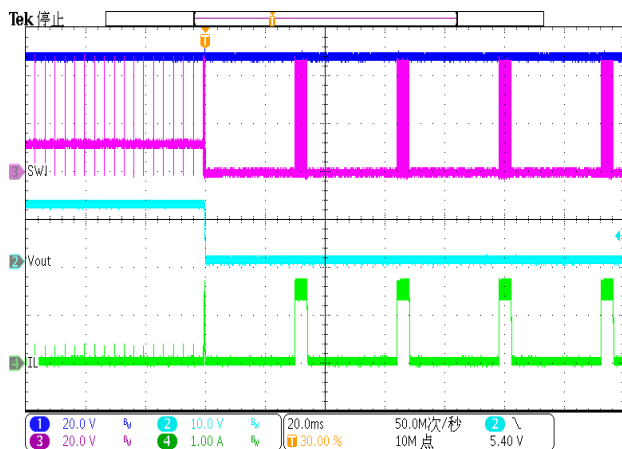
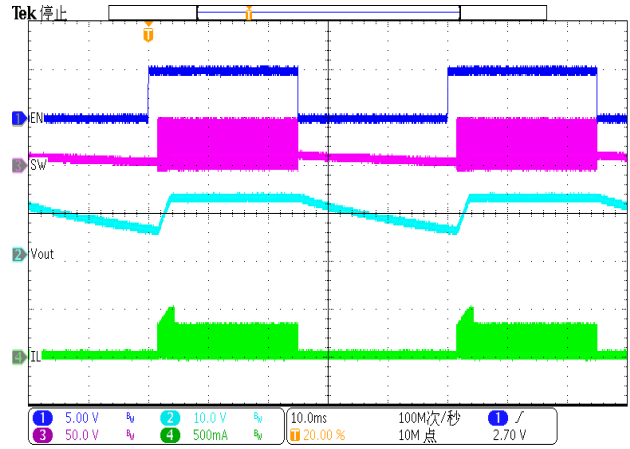
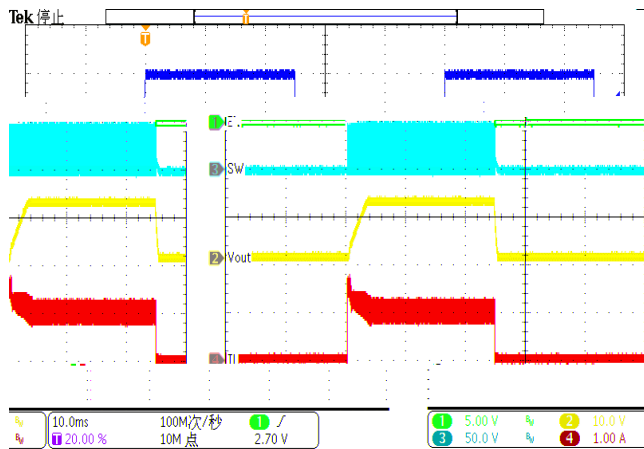
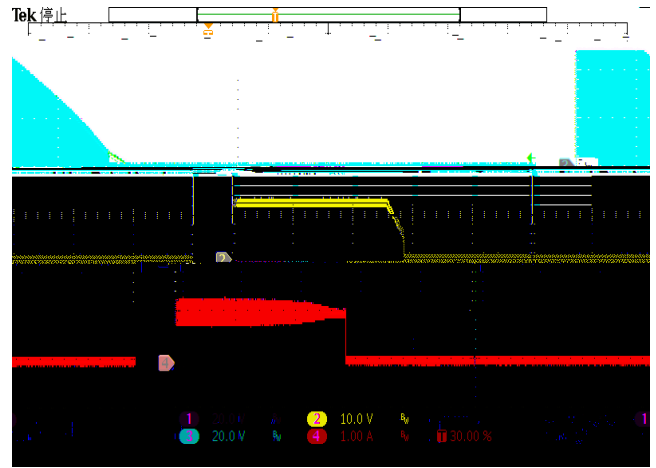
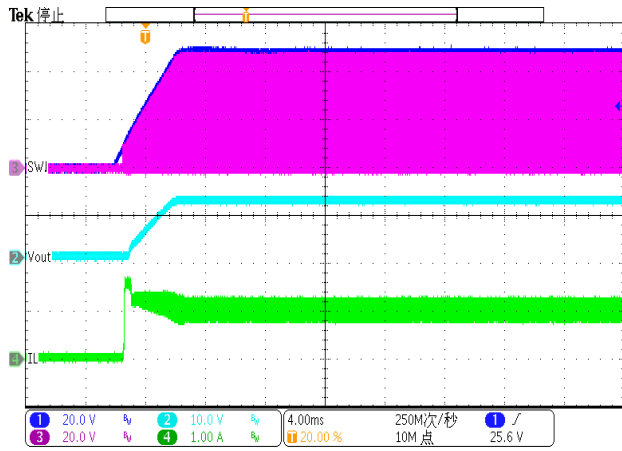


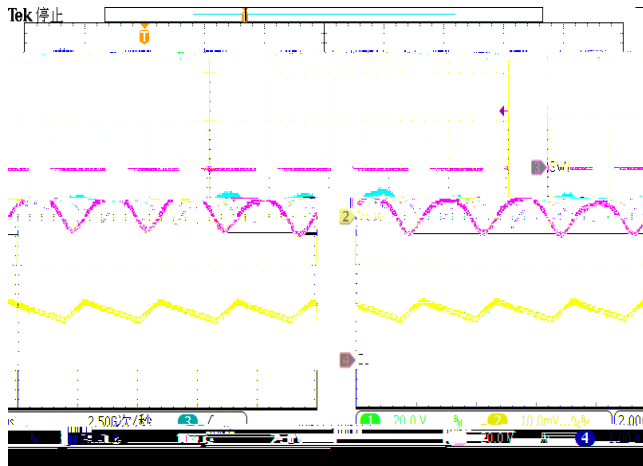
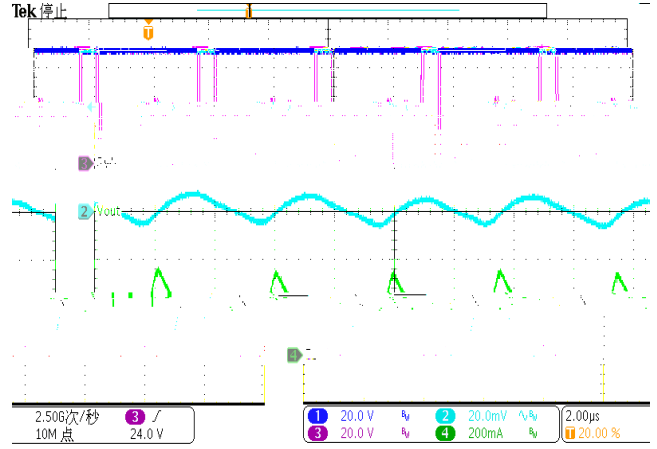
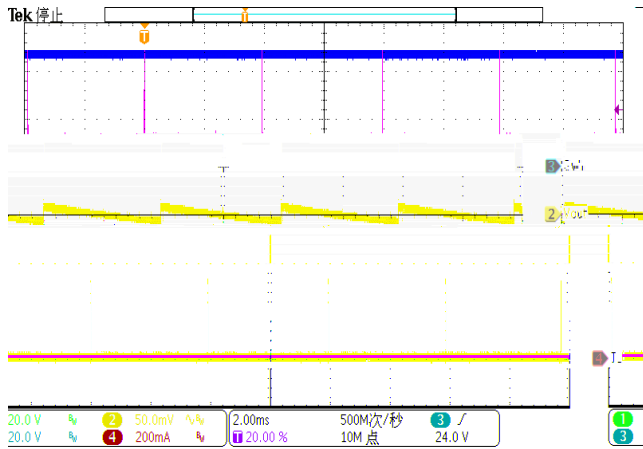
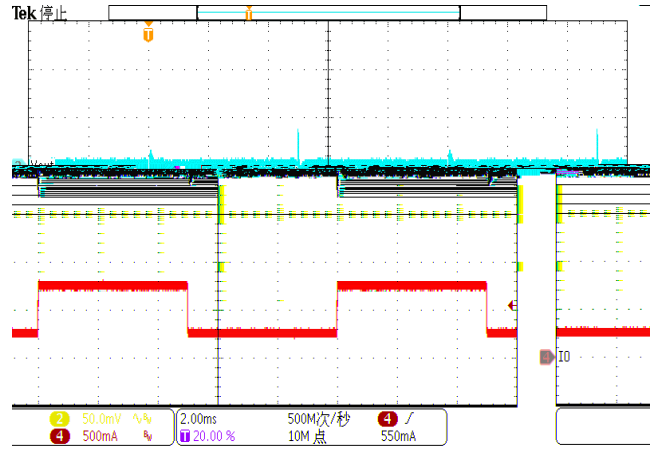
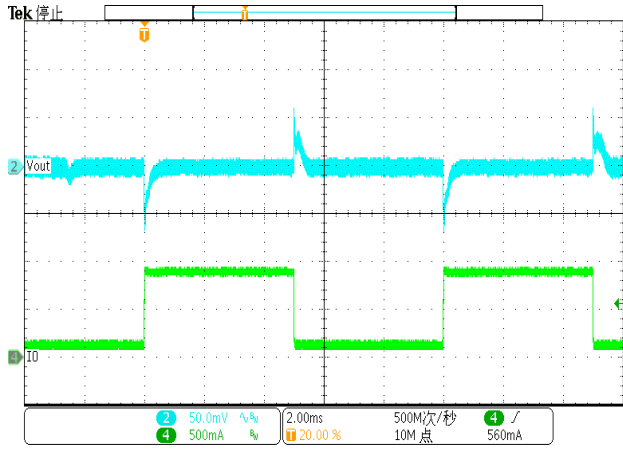
Table 1. R_1 , R_2 Value for Common Output Voltage
(Room Temperature)

-
-
-
-

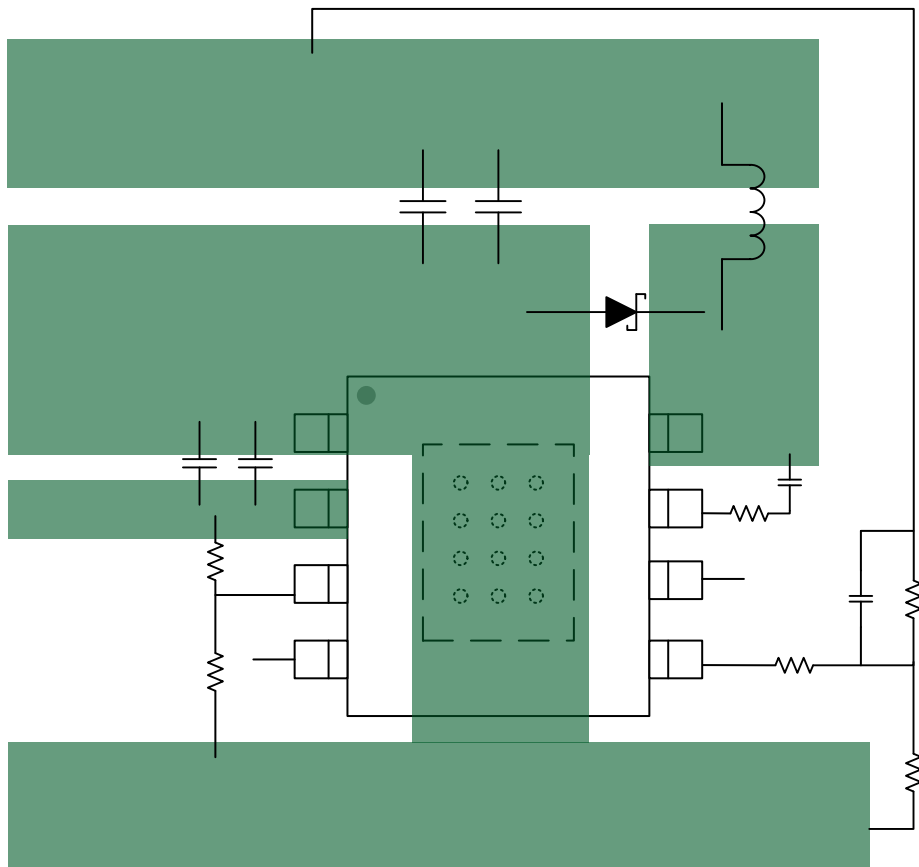
-
-
-
-
-
-
-

-
-
-
-

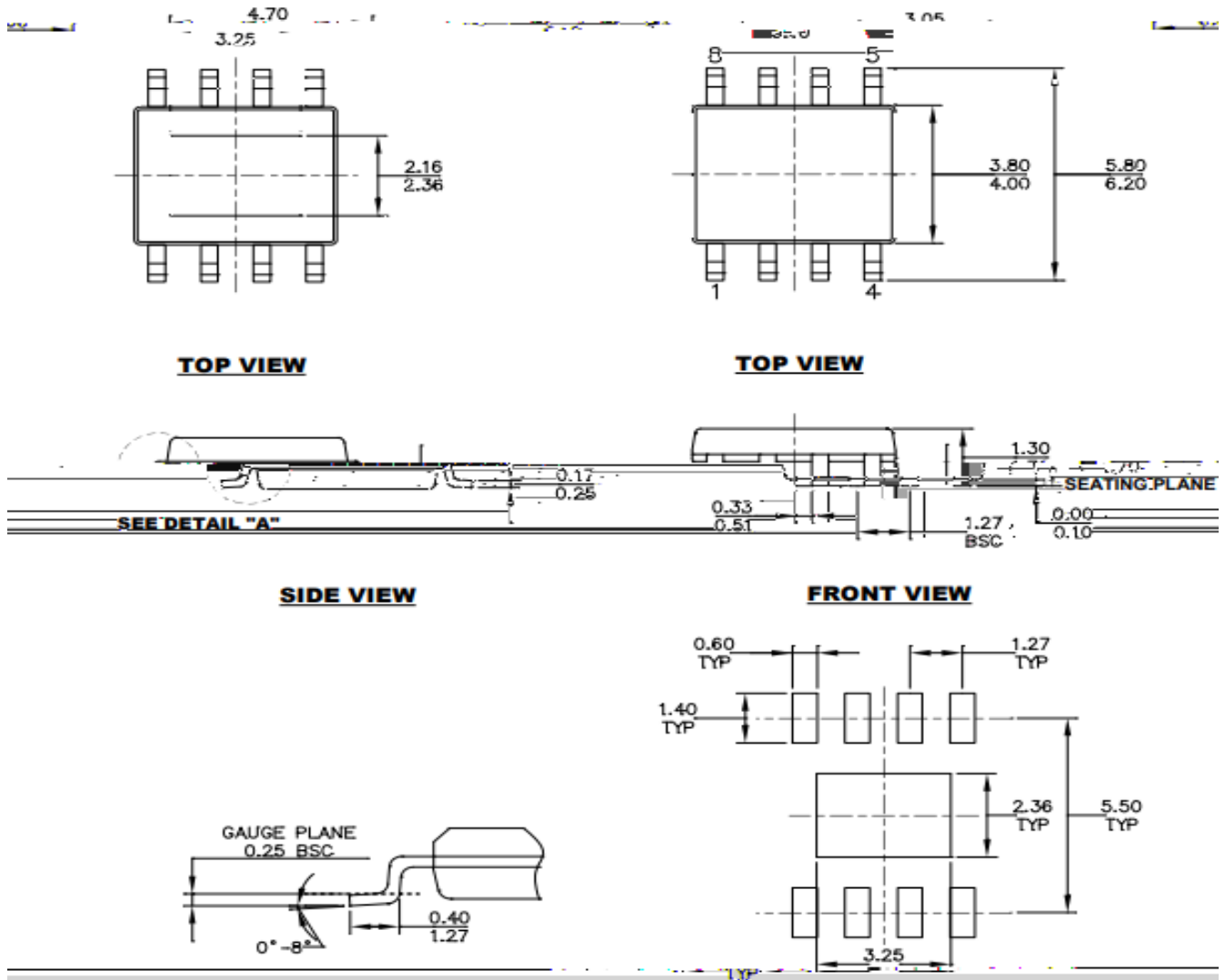




- 1.
- 2.
- 3.
- 4.
- 5.
- 6.



PACKAGE OUTLINE DRAWING FOR 8L SOP-EP POD-0022 Revision 0.0



DETAIL "A" RECOMMENDED LAND PATTERN

NOTE:

- | | |
|--|---|
| <p>1) ALL DIMENSIONS ARE IN MILLIMETERS.</p> <p>2) DIMENSIONS IN PARENTHESES ARE FOR REFERENCE ONLY.</p> <p>3) DIMENSIONS IN BRACKETS ARE MANDATORY.</p> <p>4) DIMENSIONS IN SQUARE BRACKETS ARE RECOMMENDED.</p> <p>5) DIMENSIONS IN DIAMETERS SHALL BE TO 0.004" INCHES MAX.</p> | <p>1) CONTROL DIMENSION IS IN INCHES. DIMENSION IN PARENTHESES IS IN MILLIMETERS.</p> <p>2) PACKAGE LENGTH DOES NOT INCLUDE MOLD FLASH, PROTRUSIONS OR GATE BURRS.</p> <p>3) PACKAGE WIDTH DOES NOT INCLUDE INTERLEAD FLASH OR PROTRUSIONS.</p> <p>4) LEAD COPLANARITY (BOTTOM OF LEADS AFTER FORMING) SHALL BE 0.050" INCHES MAX.</p> <p>5) DRAWING REFERENCE TO JEDEC MS-012, VARIATION HAS BEEN MADE.</p> <p>6) DRAWING IS NOT TO SCALE.</p> |
|--|---|

--	--	--

